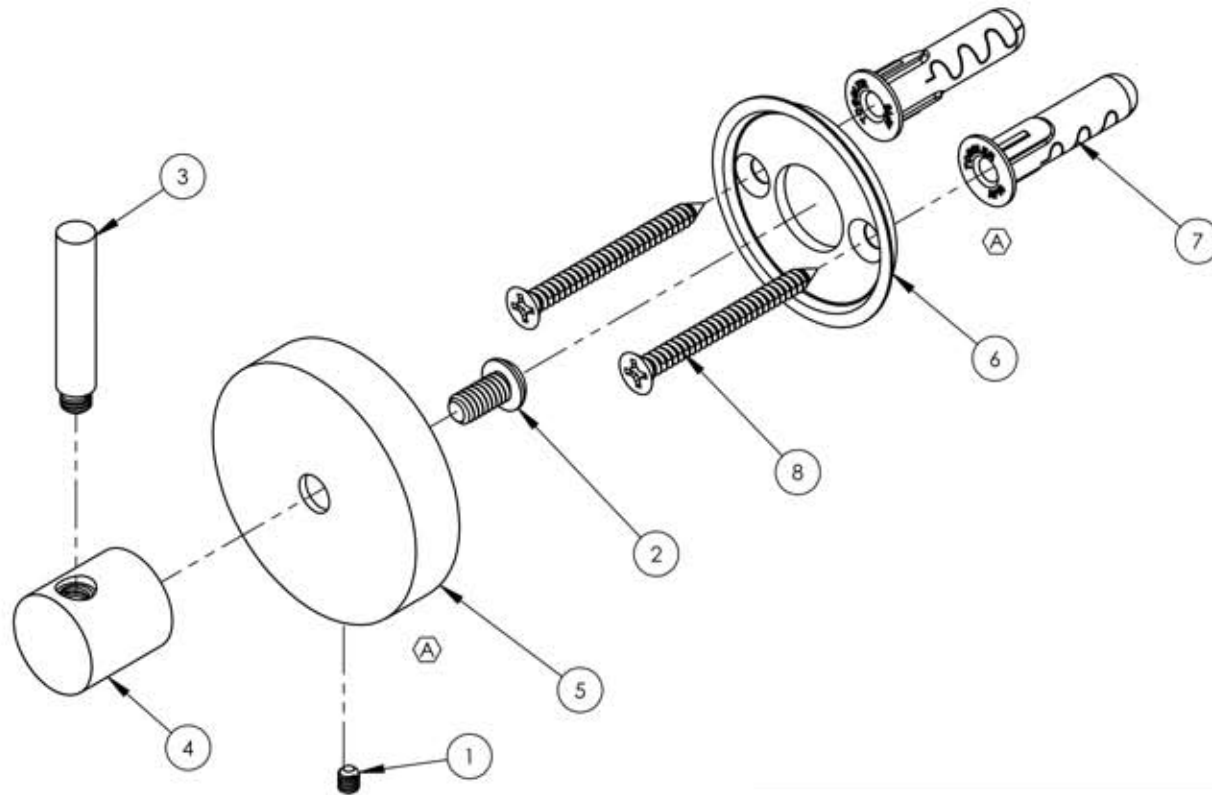


ITEM NO.	PartNo	DESCRIPTION	QTY.
1	92008	SET SCREW, CUP POINT 8-32, 3/16" L.	1
2	92207	SCREW BUTTON HD CAP 1/4"-20 X 1/2" L. S/S	1
3	P23150/00	POST HOOK, GARMENT, BASIC SERIES	1
4	P23180/00	GARMENT POST	1
5	10639/00	ESCUTCHEON, WALL MOUNT CONTEMP.	1
6	30042	WALL MOUNTING PLATE	1
7	92046	ANCHOR SCREW 3/8" HOLE, TOGGLER AF10	2
8	92043	SCREW, FLAT HD #10 SIZE W/ #2 PHIL DRIVE, 2" L.	2



C2	A	UPDATED ECUTCHEON & MOUNTING HARDWARE	4/11/2018	RAH
ZONE	REV.	DESCRIPTION	DATE	APPROVED

REVISIONS		PROPRIETARY AND CONFIDENTIAL
5		<p>THE INFORMATION CONTAINED IN THIS DRAWING IS THE SOLE PROPERTY OF R3S MANUFACTURING. ANY REPRODUCTION IN PART OR AS A WHOLE WITHOUT THE WRITTEN PERMISSION OF R3S MANUFACTURING IS PROHIBITED.</p>
4		

INTERPRET GEOMETRIC DIMENSIONING & TOLERANCING IN ACCORDANCE WITH ASME Y14.5-2009 & ASME Y14.41-2003 STANDARDS. UNLESS OTHERWISE SPECIFIED, DIMENSIONS ARE IN INCHES. TOLERANCES ARE:		
FRACTIONS ±1/64"	DECIMALS X.X: ±.1 X.XX: ±.01 X.XXX: ±.005	ANGULAR ±.5°
NEXT ASSY	USED ON	
APPLICATION		
MATERIAL	NAME	DATE
FINISH	DRAWN	10/9/2013
DO NOT SCALE DRAWING		
CHECKED		

ROBE HOOK, BASIC SERIES		
SIZE	ASM/PRT NO.	REV
A	DB10/00	A
SCALE: 1:1.5	WEIGHT: lbs.	SHEET 1 OF 1

5

4

3

2

1

1261 LOGAN AVENUE
COSTA MESA, CALIFORNIA 92626
PHONE: 714.361.4800
FAX: 714.617.3120

PHYLTRICH[®]

Defining Luxury Since 1959